

<b>Subject:</b> WATER ACCUMULATION IN FOOTWELL / PLUGGED SOFT TOP DRAINS	<b>Bulletin No:</b> 09-001/07
	<b>Last Issued:</b> 4/17/2007

## BULLETIN NOTE

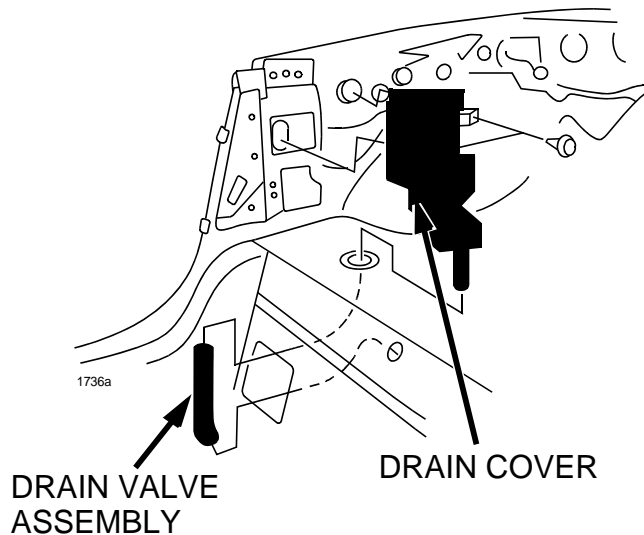
This bulletin replaces service bulletin 09-001/07 issued 1/19/2007. The WARRANTY INFORMATION has been updated.

## APPLICABLE MODEL(S)/VINS

2006-2007 MX-5 soft top models with VINs lower than JM1 NC\*\*\*\* \*\* 131736 (produced before November 20, 2006)

## DESCRIPTION

Some vehicles equipped with the folding soft top may experience water accumulation in the foot wells due to the soft top drains becoming clogged with leaves and other debris.



As mass production changes:

- A filter has been added to the drain valve assembly to prevent leaves or other foreign substance from clogging the drain.
- Ribs have been added to the upper and lower valves of the drain valve assembly to prevent the valves (rubber flaps) from getting being forced out of position in the event compressed air is used to clear the drains from under the vehicle.

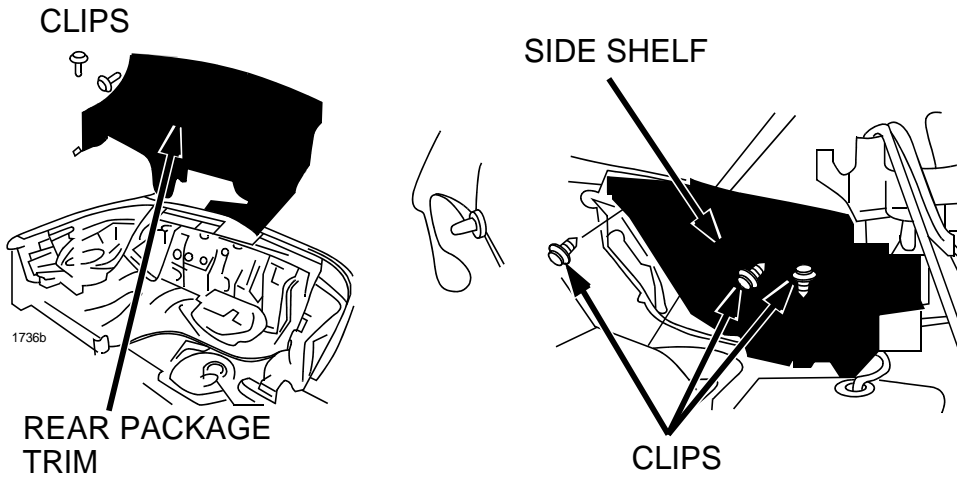
Vehicles with clogged drains should have the drain assemblies updated as described in the following repair procedure, also included in this bulletin are maintenance tips for the customers to perform to ensure dependable operation of these drains.

## REPAIR PROCEDURE

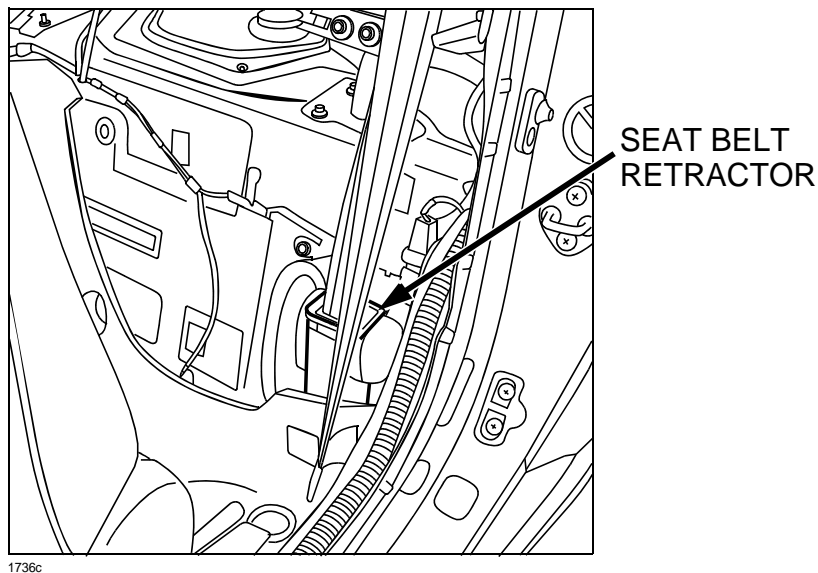
### NOTE:

- Removal of the soft top is not required to perform the repair procedure. Illustrations in this bulletin are for component identification and location purposes only.

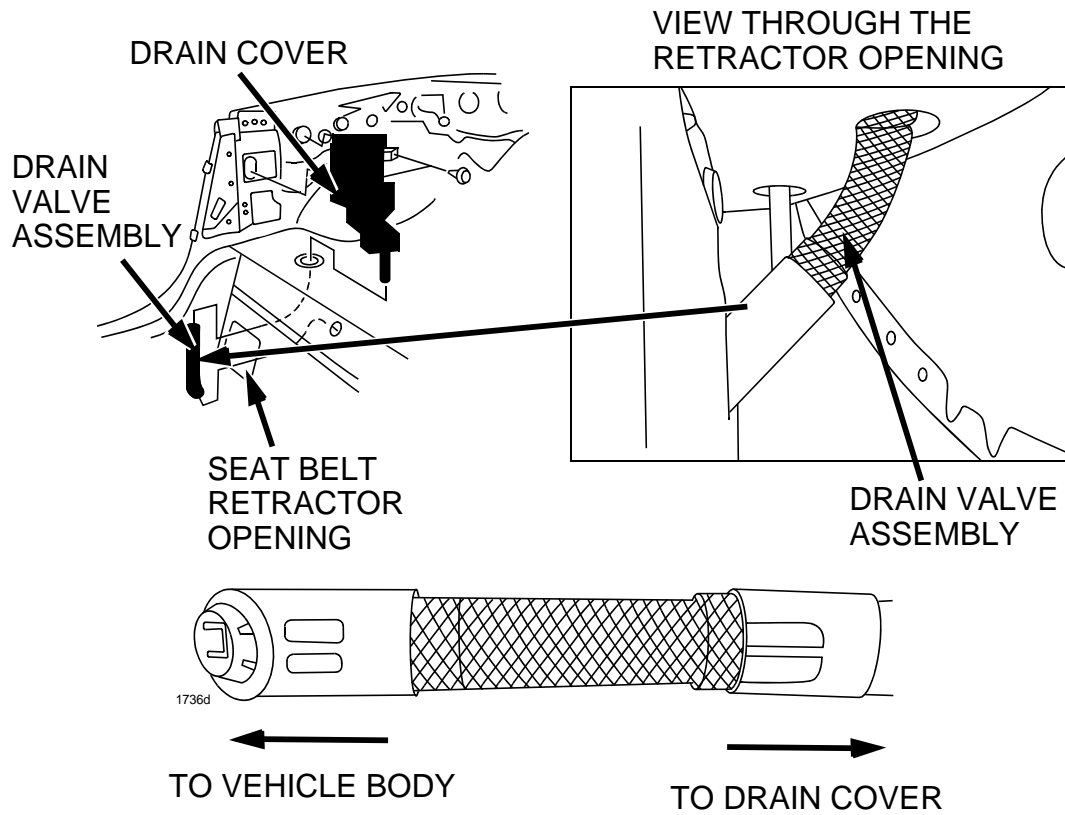
- Verify customer concern.
- Remove rear package trim and related components, then remove the left and right side shelves. Refer to appropriate Workshop Manual section 09-17 SIDE SHELF REMOVAL / INSTALLATION.



- Remove the seat belt retractors and covers. Refer to appropriate Workshop Manual section 08-11 SEAT BELT REMOVAL / INSTALLATION.



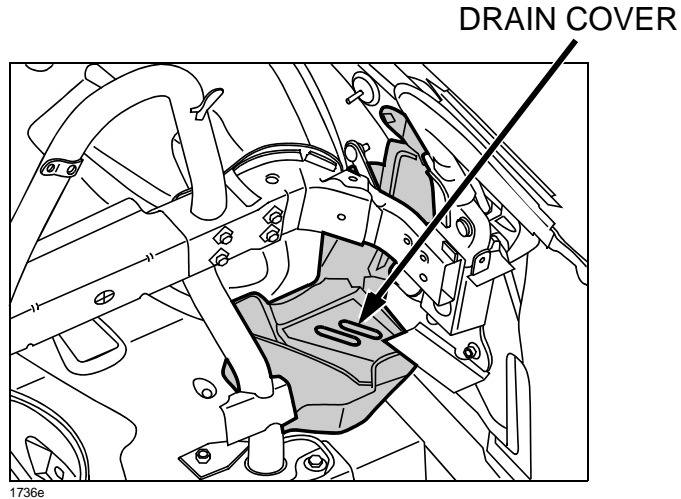
4. Using seat belt retractor holes for access, remove the drain valve assemblies.



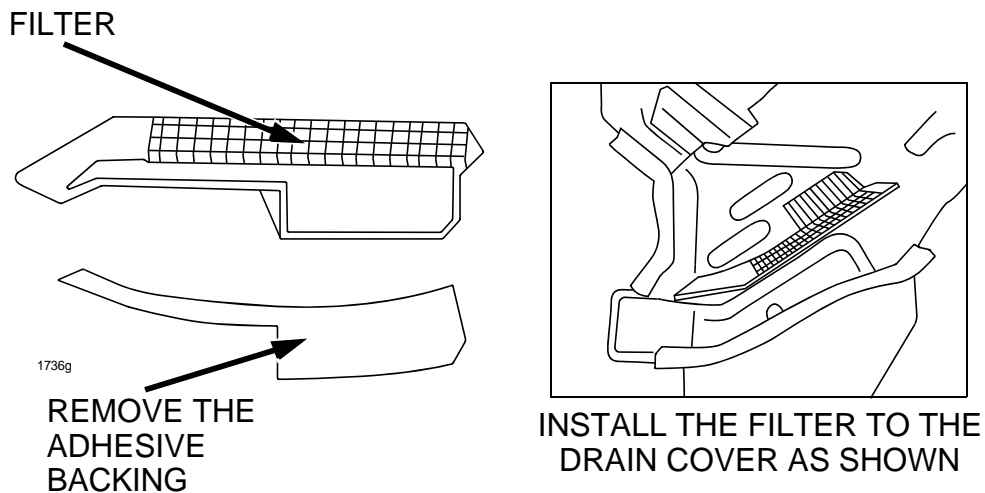
**DRAIN COVER FILTER INSTALLATION**

5. Clean and degrease the drain cover assemblies, to assure proper adhesion of the filter to drain cover assemblies wipe down contact area indicated with Isopropyl alcohol.



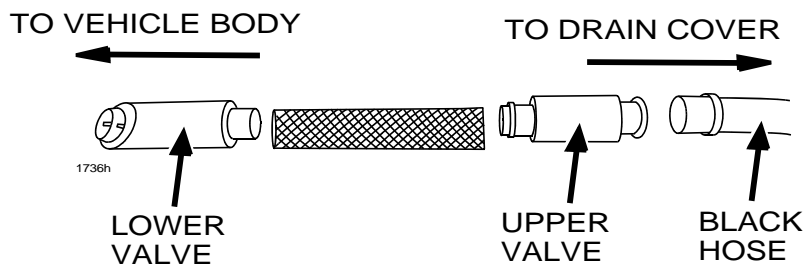


6. Peel the adhesive backing sheet from the filter and affix it to the bottom of the drain cover.



### DRAIN VALVE REPLACEMENT

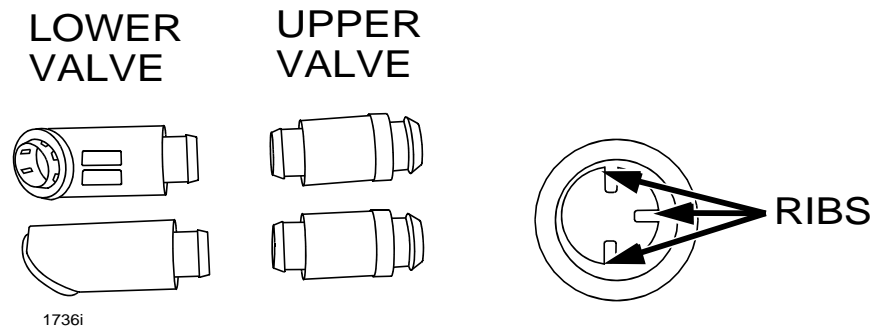
7. Disassemble the drain valve assembly. Note installation position of the lower valve for proper orientation during assembly.



8. Replace the upper and lower valves with modified ones.

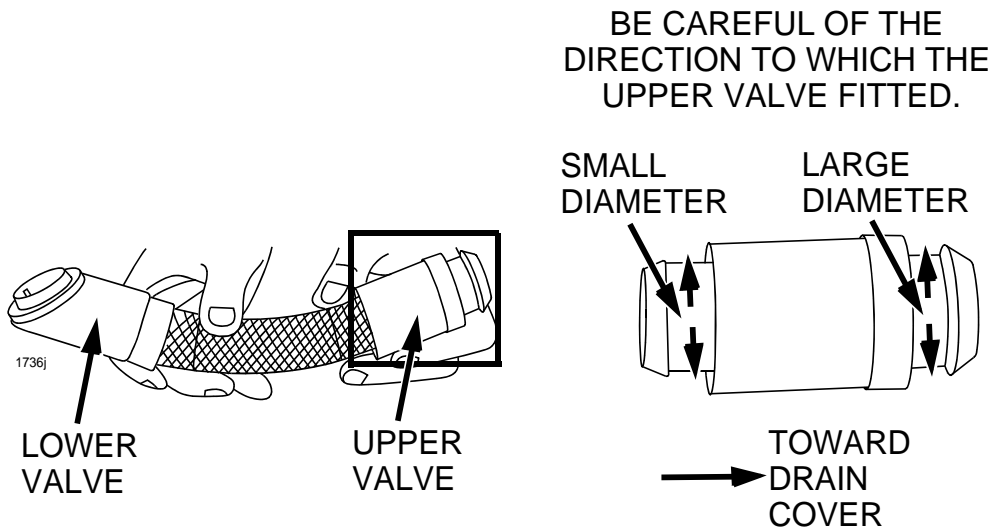
**NOTE:**

- The modified valves can be identified by the ribs inside the valve.



9. Install the modified lower valve in the same position as the old valve when removed.

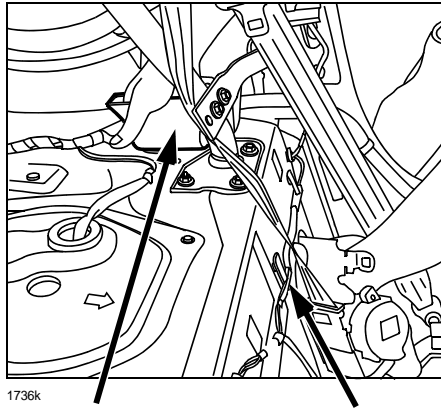
10. Install the modified upper valve with the small end inside the drain valve assembly hose.



11. Using seat belt retractor hole for access, install drain valve assembly. Connect upper valve to drain cover hose and plug lower valve into body.

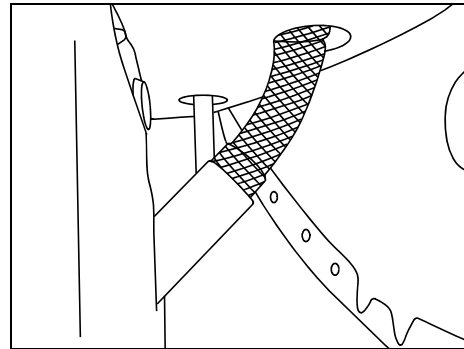
**NOTE:**

- Insert fingers into drain cover hose from top to aid when installing upper valve into drain cover hose.



DRAIN COVER

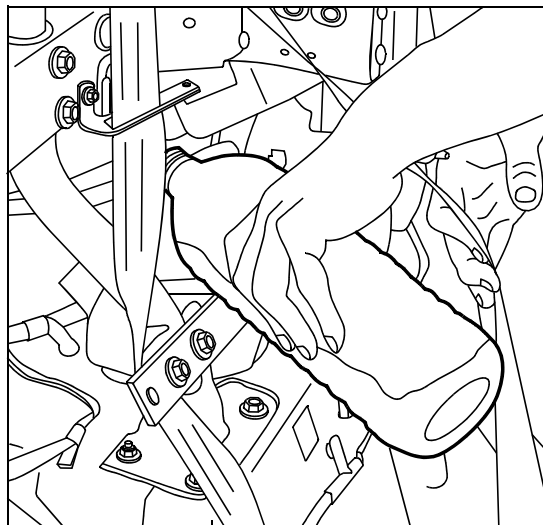
RETRACTOR HOLE



INSTALLED DRAIN VALVE ASSEMBLY

12. Verify repair by pouring water into the drain covers prior to reassembly to confirming water only exits under vehicle and does not leak from drain valve tubes assemblies into retractor holes and /or overflow drain cover assemblies.

POUR WATER INTO THE DRAIN COVER TO MAKE SURE THE WATER DOES NOT OVERFLOW.



13. Install the seat belt retractors and covers. Refer to appropriate Workshop Manual section 08-11 SEAT BELT REMOVAL / INSTALLATION. Torque to specification.

**Retractor Upper Bolts (2): 583-797 in-lbf (7.8-10.8 N.m)**

**Retractor Lower Bolt: 28.2 -57.8 ft-lbf (38.2 -78.4 N.m)**

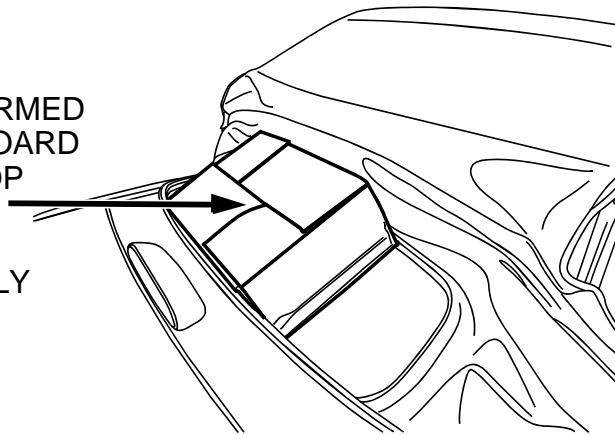
14. Install the left and right side shelves, rear package trim and related components. Refer to appropriate Workshop Manual section 09-17 SIDE SHELF REMOVAL / INSTALLATION.
15. Communicate to customer that periodic cleaning of leaves and other debris from bottom of convertible top is required. Refer to "Convertible Top Drain Maintenance Tips"

**CONVERTIBLE TOP DRAIN MAINTENANCE TIPS**

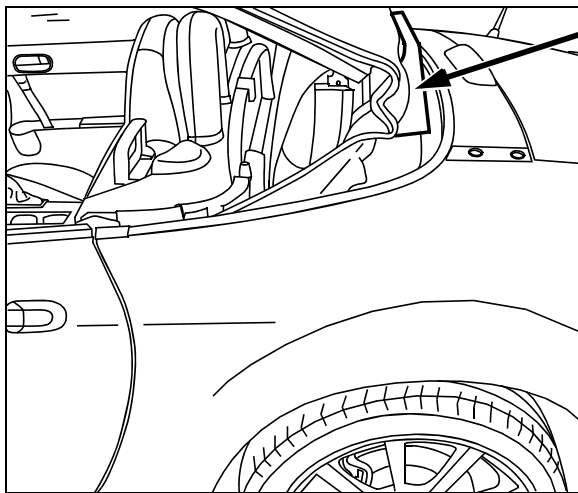
To maintain proper flow of the soft top drains is it highly recommended to perform periodical vacuuming of the locations as indicated below to remove dirt, sand, tree or other plant droppings such as leaves, seeds, blossoms, etc... to prevent them from accumulating in and clogging the soft top drain system.

1. Using or cardboard box or equivalent to keep the soft top in the half-open position will allow this procedure to be performed by a single person.

PLACING A FULLY FORMED AND CLOSED CARDBOARD BOX BEHIND SOFT TOP AS SHOWN WILL PREVENT TOP FROM OPENING COMPLETELY



1663b



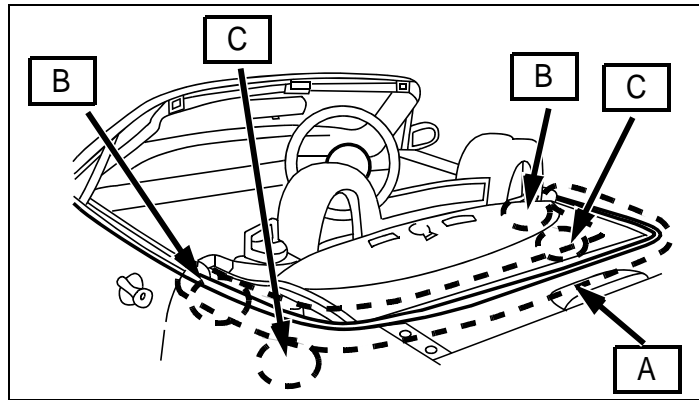
1736n

USE FOLDED BOX TO KEEP TOP FROM OPENING COMPLETELY

2. With the soft top down, Using a vacuum cleaner, remove the foreign substances (such as leaves) from around the rear edge of convertible top (A) between the soft top and the vehicle body.

**NOTE:**

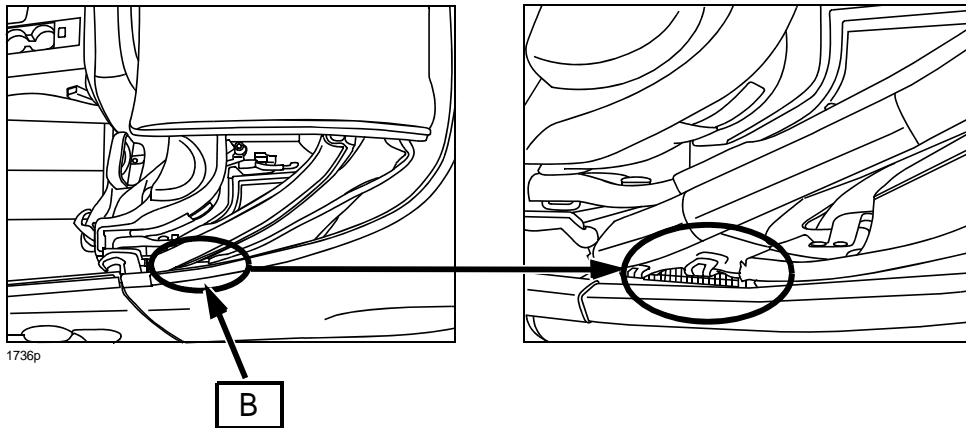
- Pay special attention to areas "B" and "C" when vacuuming the convertible top filters.



1736o

**AREA "B":**

- Insert the vacuum cleaner hose inside the convertible top, remove leaves and/or debris from top of the drain cover filter on right and left side of vehicle.

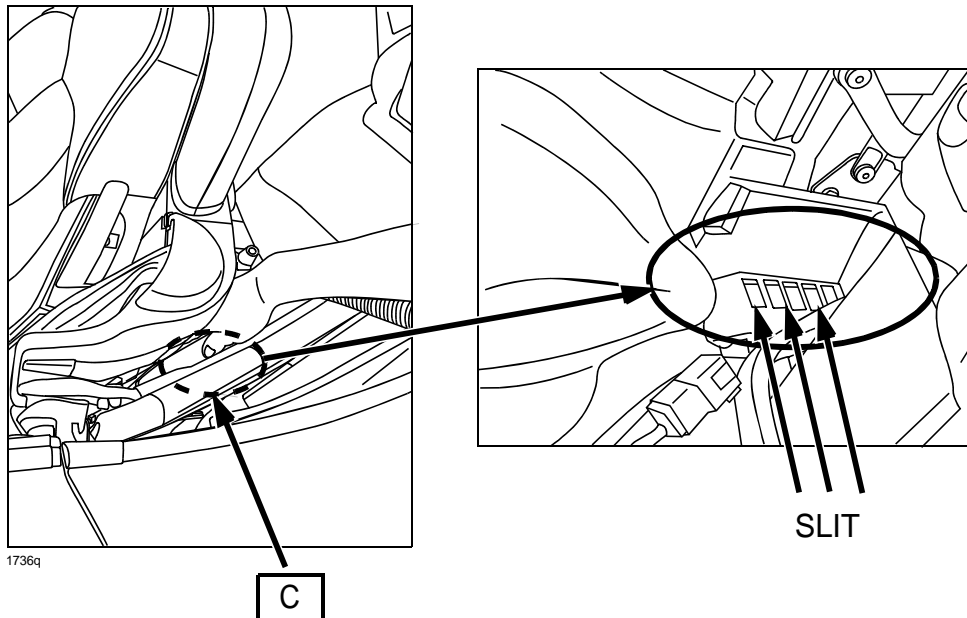


1736p



**AREA "C":**

- Insert the vacuum cleaner hose inside the convertible top, remove the leaves and/or debris from the top of the filter through the rear package trim slits on right and left side of vehicle.



**PART(S) INFORMATION**

Part Number	Description	Qty.	Notes
NEY1-R1-782	Filter, RH	1	---
NEY1-R1-792	Filter, LH	1	---
NE51-R1-784E	Valve, Upper	2	---
NE51-R1-789E	Valve, Lower	2	---

## WARRANTY INFORMATION

**NOTE:**

- This warranty information applies only to verified customer complaints on vehicles eligible for warranty repair. Refer to the Warranty Wizard for warranty term information.
- Additional diagnostic time cannot be claimed for this repair.

Warranty Type	A
Symptom Code	77
Damage Code	93
Part Number Main Cause	SEE PART(S) INFORMATION
Quantity	1
Operation Number / Labor Hours:	XXB485RX / 1.4 Hrs.

**NOTE:**

- For other replaced parts (LH filter, upper / lower valves), claim as related parts.